



ST. CLAIR COUNTY DRAIN COMMISSIONER
Robert Wiley
21 Airport Drive
St. Clair, MI 48079

KINGSLEY DRAIN

NOTICE OF DAY OF REVIEW OF DRAINAGE DISTRICT BOUNDARIES **AND REVIEW OF APPORTIONMENTS**

DATE: Thursday, July 29, 2021
TIME: 9:00 a.m. to 5:00 p.m.
LOCATION: Kimball Township
2160 Wadhams Rd
Kimball, MI 48074
QUESTIONS: (810) 224-1500

The St. Clair County Drain Commissioner will hold a Day of Review of Drainage District Boundaries and Apportionments on the above date, time, and location. The Day of Review is an opportunity to review the tentative Kingsley Drain Drainage District boundaries and the apportionments of benefit for each parcel and municipality within the Drainage District. A map of the proposed Drainage District boundary revisions can be found enclosed with this notice and on the St. Clair County's website at: <https://www.stclaircounty.org/Main/calendar.aspx>.

The Drain Commissioner, engineers and/or other staff members will be available to assist individuals throughout the day and make revisions where necessary. There is no need to schedule an appointment for a specific time on the Day of Review. The computation of costs for the Drain will also be available at the Day of Review. Drain assessments are collected in the same manner as property taxes and will appear on your winter tax bill. If drain assessments are being collected for more than one (1) year, you may pay the assessment in full with any interest to date at any time and avoid further interest charges.

Persons with disabilities needing accommodations for effective participation in the Day of Review should contact the Drain Commissioner's Office at the number noted above (voice) or through the Michigan Relay Center at 7-1-1 (TDD) at least 24 hours in advance of the Day of Review to request mobility, visual, hearing, or other assistance.

Comments on the apportionment of benefits may be submitted to the Drain Commissioner in writing before the date of the day of review to the St. Clair County Drain Commissioner at 21 Airport Drive, St. Clair, MI 48079 or to jhartson@stclaircounty.org, or comments may be submitted in writing or verbally at the day of review. Comments submitted in advance must be received by the Drain Commissioner prior to the day of review to ensure consideration.

The following is a list of any county, township, city, or village to be assessed at large: St. Clair County, Clyde Township, Grant Township, Greenwood Township, and Kenockee Township.

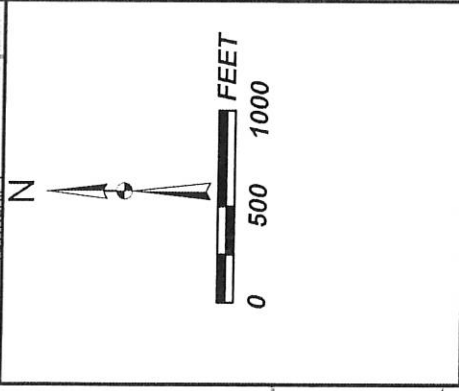
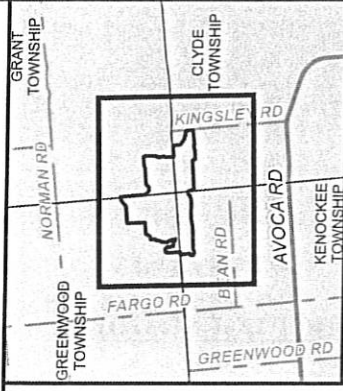
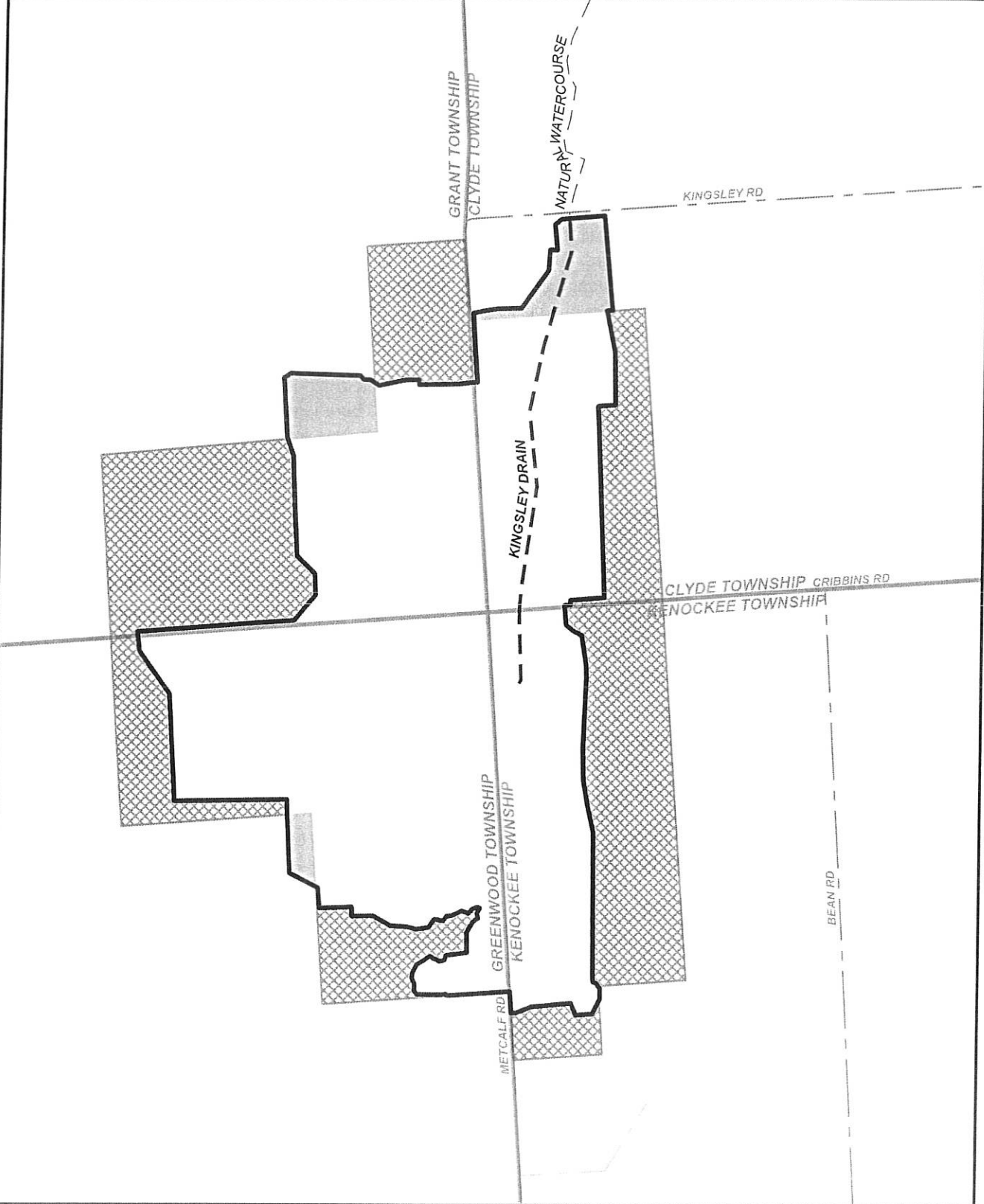
You may appeal the Drain Commissioner's decision to revise the district boundary to the St. Clair County Circuit Court within ten (10) days, and you may also appeal the determination of apportionments to the St. Clair County Probate Court within ten (10) days.

Robert Wiley
St. Clair County Drain Commissioner



KINGSLEY DRAIN DRAINAGE DISTRICT

ST. CLAIR COUNTY DRAIN COMMISSIONER - ROBERT E WILEY



LEGEND

	DRAINAGE DISTRICT BOUNDARY
	DRAIN
	PROPERTY ADDED
	PROPERTY REMOVED
	OUTLET WATERCOURSE
	MUNICIPAL BOUNDARIES
	COUNTY ROADS
	LOCAL ROADS